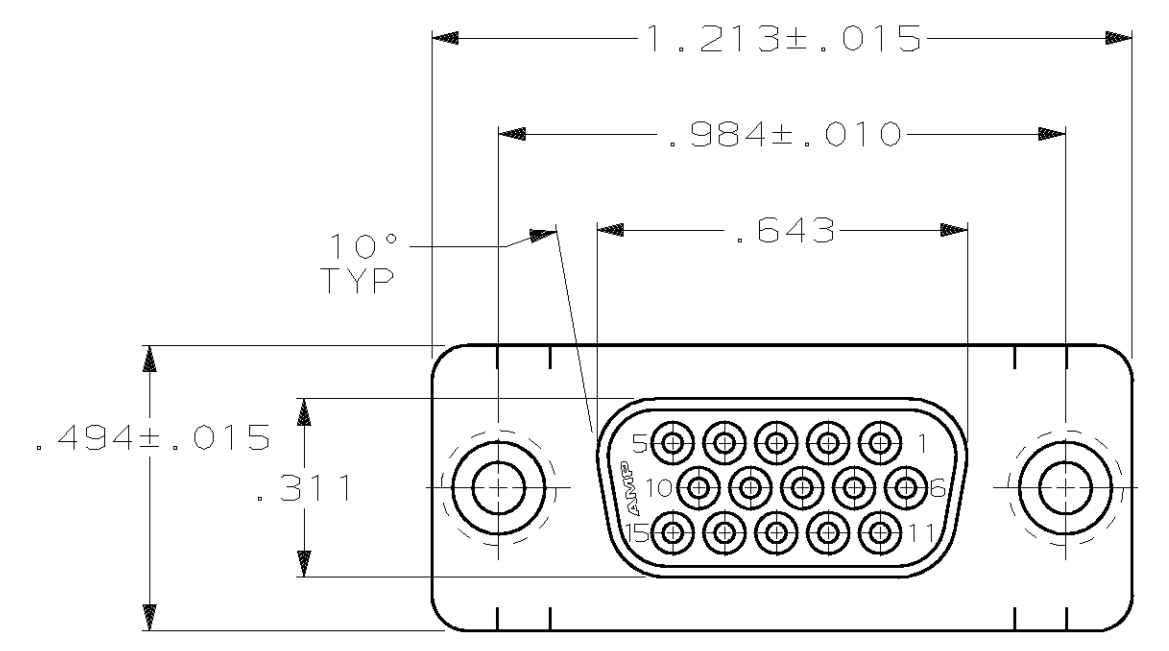
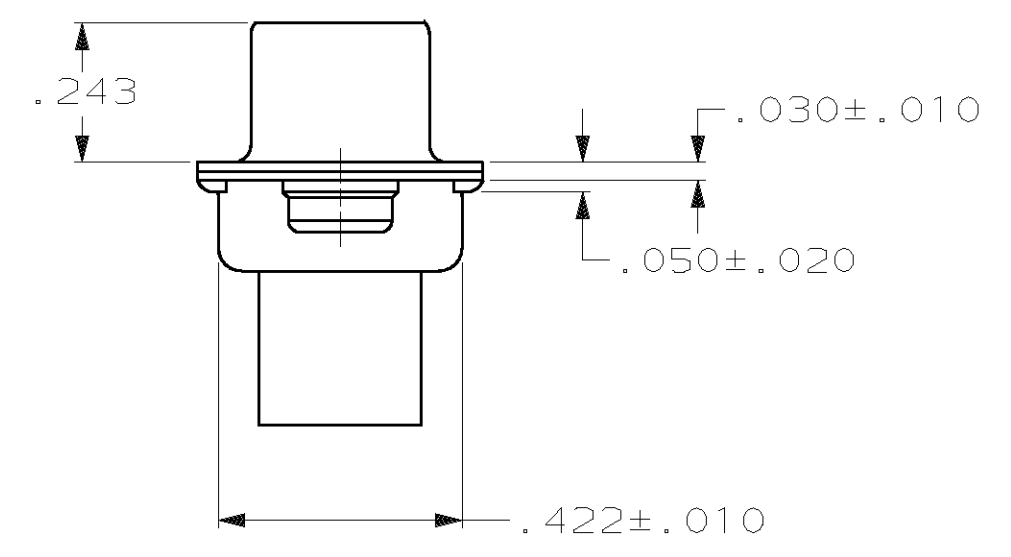
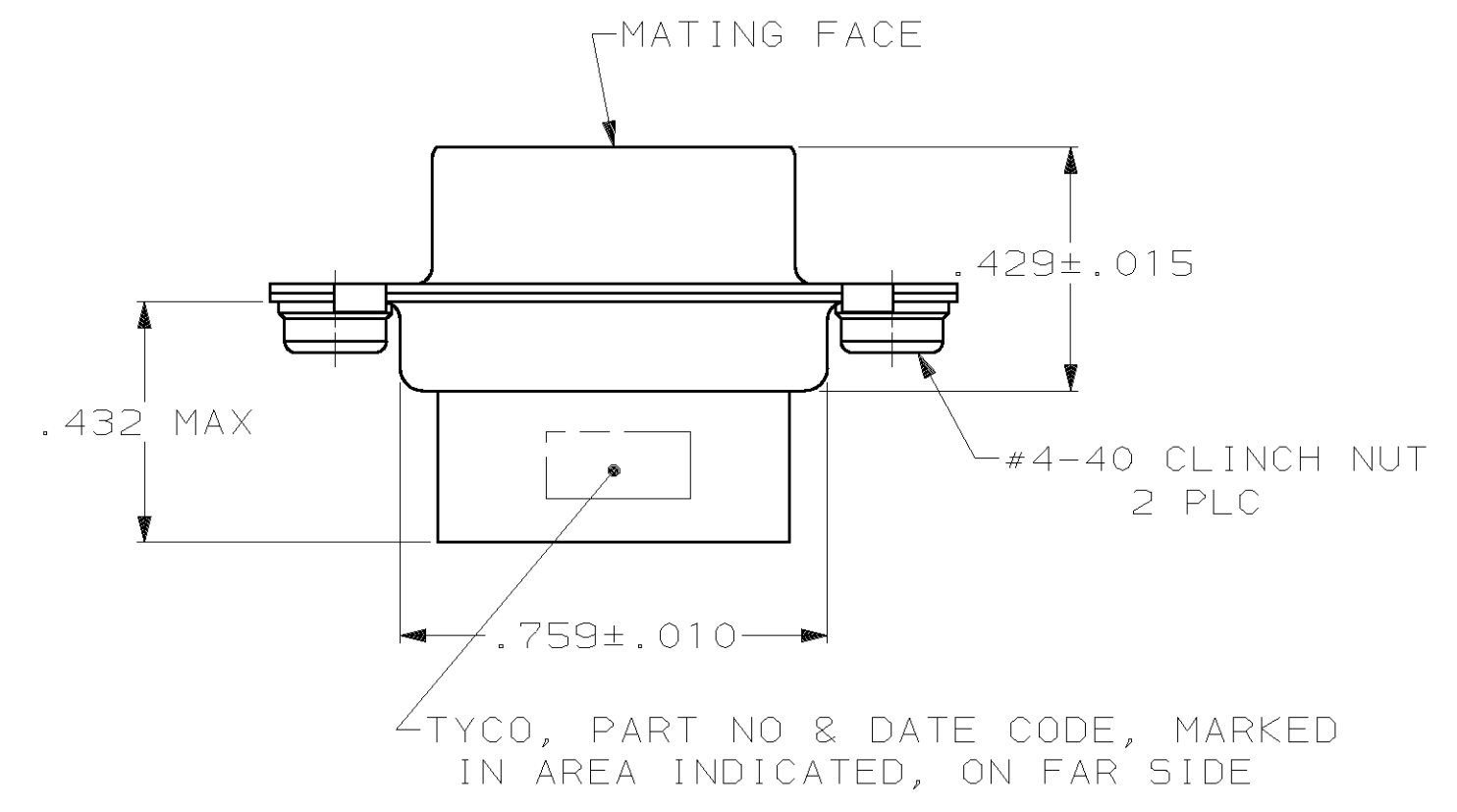


THIS DRAWING IS UNPUBLISHED. RELEASED FOR PUBLICATION
 (C) COPYRIGHT 19 BY AMP INCORPORATED. ALL RIGHTS RESERVED.

LOC	DIST	REVISIONS			
P	LTR	DESCRIPTION	DATE	DWN	APVD
GP	00	0	RELEASED PER EC 0513-0209-03	02JAN04	LB 5B



1. CONNECTOR ACCEPTS 22 DF SOCKET CONTACTS, RETENTION TINES ARE AN INTEGRAL PART OF INSERT.
- ② FLAME RETARDANT 94V-0 RATED GLASS FILLED NYLON, COLOR: BLACK.
- ③ CARBON STEEL.
- ④ .000200 MIN. TIN PLATE OVER .000100 MIN. COPPER UNDERPLATE.
- ⑤ CLEAR CHROMATE OVER ZINC PLATE.



1658690-1
 PART NUMBER

THIS DRAWING IS A CONTROLLED DOCUMENT.		DWN L. BAUM 02JAN04	AMP Incorporated Harrisburg, PA 17105-3608													
DIMENSIONS: INCH		CHK S. BOLASH 02JAN04	NAME													
<table border="1"> <tr><td>0 PLC</td><td>±-</td></tr> <tr><td>1 PLC</td><td>±-</td></tr> <tr><td>2 PLC</td><td>±-</td></tr> <tr><td>3 PLC</td><td>±.005</td></tr> <tr><td>4 PLC</td><td>±-</td></tr> <tr><td>ANGLES</td><td>±2°</td></tr> </table>		0 PLC	±-	1 PLC	±-	2 PLC	±-	3 PLC	±.005	4 PLC	±-	ANGLES	±2°	APVD M. WALMSLEY 02JAN04	PRODUCT SPEC 108-1268	
0 PLC	±-															
1 PLC	±-															
2 PLC	±-															
3 PLC	±.005															
4 PLC	±-															
ANGLES	±2°															
MATERIAL MOLDED PARTS: ④ SHELLS & CLINCH NUTS: ⑤		FINISH SHELLS: ④ CLINCH NUTS: ⑤	APPLICATION SPEC 114-10001	RESTRICTED TO												
		WEIGHT -	SCALE 3:1	REV 0												
		CUSTOMER DRAWING	SIZE A2	SHEET 1 OF 1												
			CAGE CODE 00779	DRAWING NO 1658690												